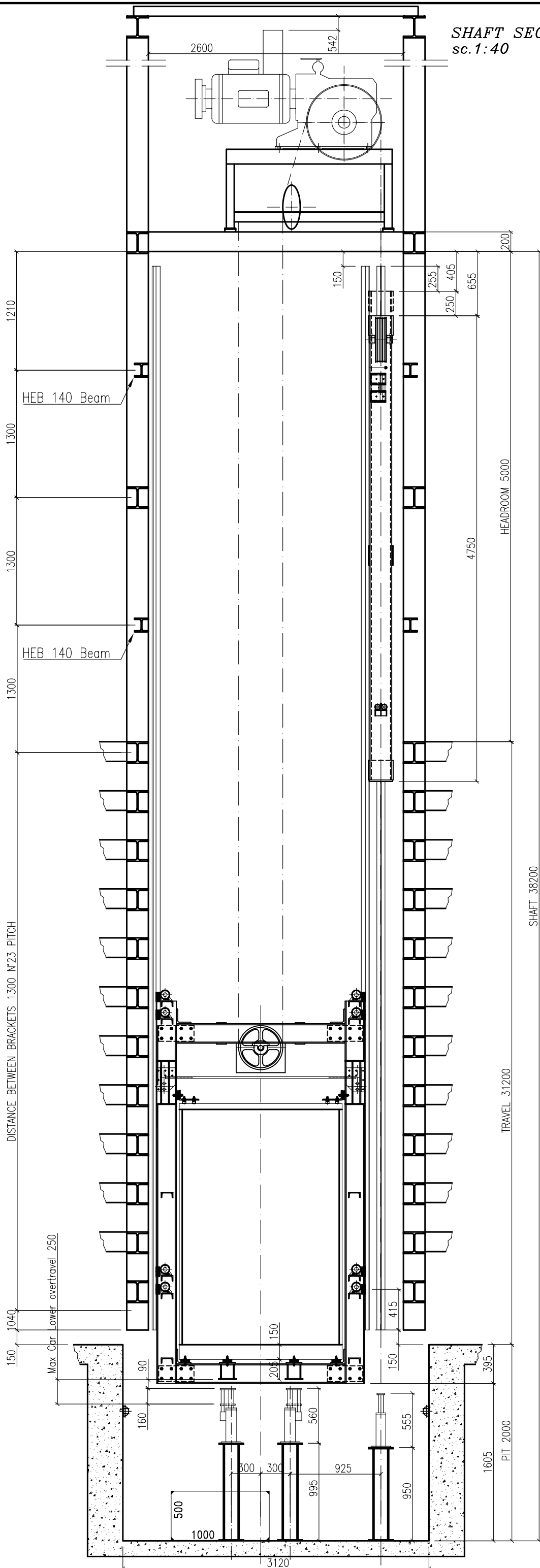
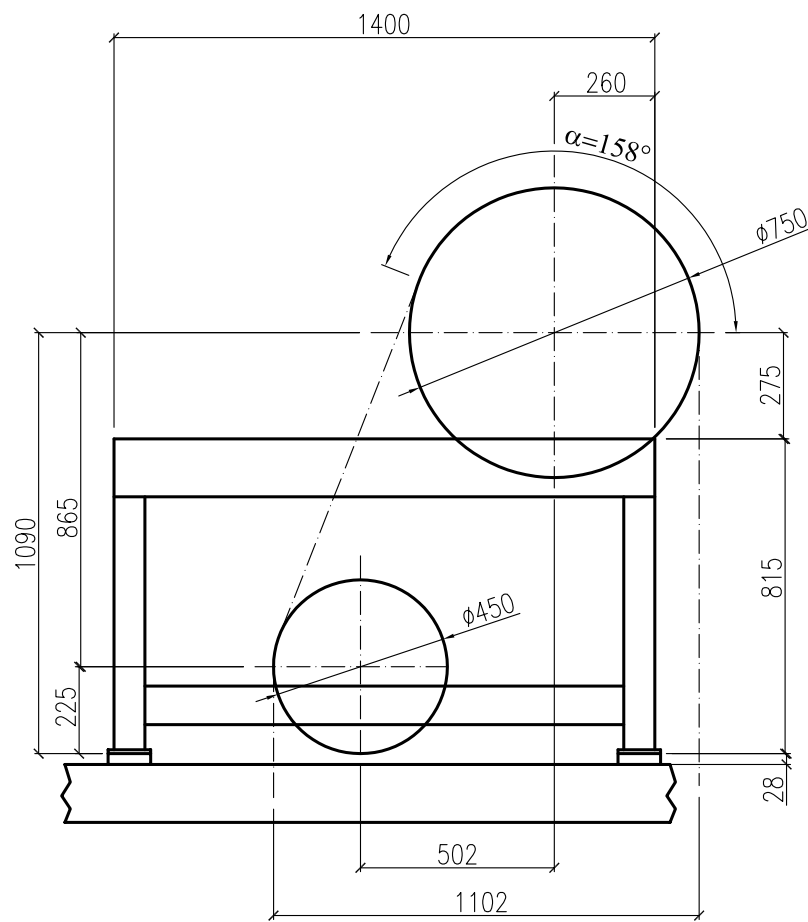


SHAFT SECTION B-B
sc. 1:40



PULLEYS
PARTICULAR
sc. 1:20



ROPE LIFT 2:1

CUSTOMER		
Installation Address		
Drawn by Montano	Drawing Date 15/03/2006	Drawing Number FU003-06
Rev. N° 1	Sheet 3/6	Order Number Prog. VEGA
REV.	Data Revisione	DESCRIZIONE
1	05/05/2006	Various modify
-	-	-
-	-	-
-	-	-